

UVC LED Technology

Watersprint Core®

Next Generation Whole House Water Disinfection System

Watersprint Core® is our most advanced UVC LED water disinfection system, designed and produced in Sweden with high quality, versatility, compact design, and cost efficiency in mind.

Three Models, One Technology

The Watersprint Core® product family features three distinct models, all powered by the same innovative UVC LED technology. Each model is tailored to meet different customer needs, offering optimized performance for varying flow rates:

- Watersprint Core® 20 for flow rates up to 30 liters/min.
- Watersprint Core® 40 for flow rates up to 60 liters/min.
- Watersprint Core® 60 for flow rates up to 90 liters/min.

Lasting Performance

Allowing homeowners to enjoy a robust, reliable, and compact system that fits seamlessly into their home, this water disinfection solution offers peace of mind. With easy installation, plumbers and installers can quickly set up the system, ensuring a smooth experience for the homeowner. The low-maintenance design translates to hassle-free ownership, requiring minimal attention over time. Built for durability, the system provides long-lasting performance, offering the homeowner years of worry-free, safe water.

Automatic and Instant Start

Thanks to the external flow sensor and control unit, the UVC LEDs automatically activate when water flow is detected. Unlike other UV light sources, the UVC LEDs provide full output instantly without any warm-up time, ensuring that water is disinfected from the moment it begins to flow.

Low Power Consumption

Since our water disinfection system enters standby mode when no water is flowing, it achieves significantly lower power consumption compared to conventional systems, using less than 1W in standby mode. Also, since the light source is off when no water is flowing, there will be no heat transfer to the water.

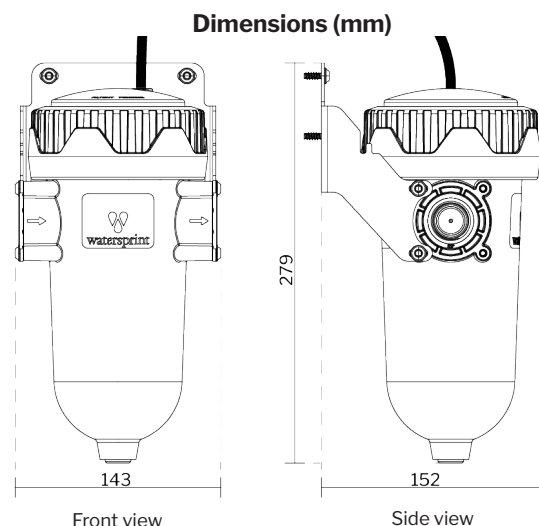


Hygienic Pulsing™

To ensure excellent water quality, we have added Hygienic Pulsing™, a Watersprint Safety Feature that automatically activates the system during periods of inactivity.

Advantages of UVC LED Technology

- **Mercury-Free Technology:** UVC LEDs do not contain mercury, making them safer for the environment and easier to handle compared to conventional UV lamps.
- **Simple Handling:** UVC LEDs are user-friendly during their active lifespan and thereafter, ensuring easy disposal and maintenance.
- **Space-Saving Design:** The compact size of UVC LEDs allows for more efficient, space-saving designs in water disinfection systems.
- **No Fragile and Bulky Glass Tubes:** Unlike conventional UV lamps, UVC LEDs do not contain fragile glass tubes, reducing the risk of breakage and increasing durability.
- **Longer Lifespan:** UVC LEDs have a longer operational life, providing reliable and consistent disinfection over time with minimal replacement needs.



SPECIFICATION

Watersprint Core® UVC LED Water Disinfection System



Model	Watersprint Core® 20	Watersprint Core® 40	Watersprint Core® 60
Release Date	Q2 2025	Jan 2025	Q3 2025
Article Number	WS-40-2421-01	WS-40-2441-01	WS-40-2461-01
Flow Sensor for automatic and instant start	Yes	Yes	Yes
Hygienic Pulsing™ Safety Feature	Yes	Yes	Yes
Regulatory	RoHS, REACH, CE and NSF certified by release date.	RoHS, REACH and CE. NSF pending.	RoHS, REACH, CE and NSF certified by release date.
DETAILED TECHNICAL DATA			
Dimensions (HxW)	279 mm x 143 mm	279 mm x 143 mm	279 mm x 143 mm
Weight	2,0 kg	2,0 kg	2,0 kg
IP rating	IP21	IP21	IP21
Electrical Characteristics			
Input rating	100-240 VAC, 50/60 Hz	100-240 VAC, 50/60 Hz	100-240 VAC, 50/60 Hz
Power consumption	32W <1W in standby mode	52W <1W in standby mode	72W <1W in standby mode
UVC LED replacement interval	1 500 active hours ¹	1 500 active hours ¹	1 500 active hours ¹
Performance²			
16 mJ/cm ² @ 95% UVT	30 l/min	60 l/min	90 l/min
30 mJ/cm ² @ 95% UVT	20 l/min	40 l/min	60 l/min
Max. flow rate	30 l/min	60 l/min	90 l/min
Operating Conditions			
Water temperature	1–23°C	1–23°C	1–23°C
Ambient temperature	1–40°C	1–40°C	1–40°C
Max. water pressure	10 bar	10 bar	10 bar
Pressure drop @ max. flow rate	<0,5 bar	<0,5 bar	<0,5 bar

¹Equivalent to 3-4 years of normal usage for a household of four.

²Based on third-party validated bioassay.